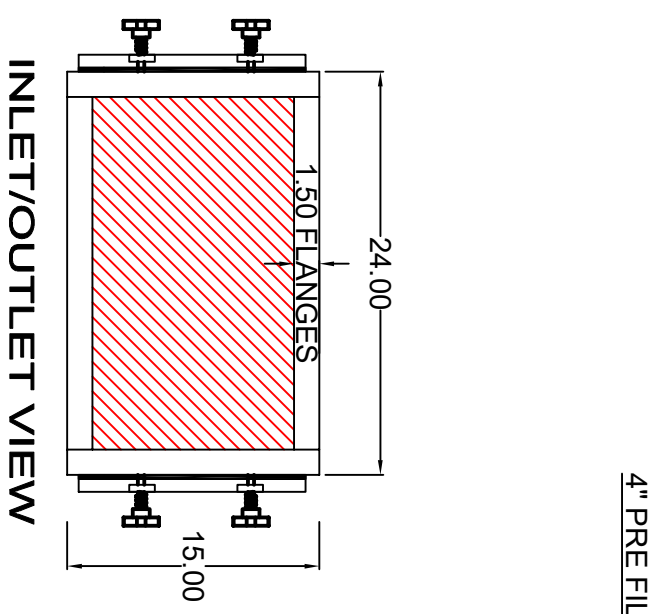
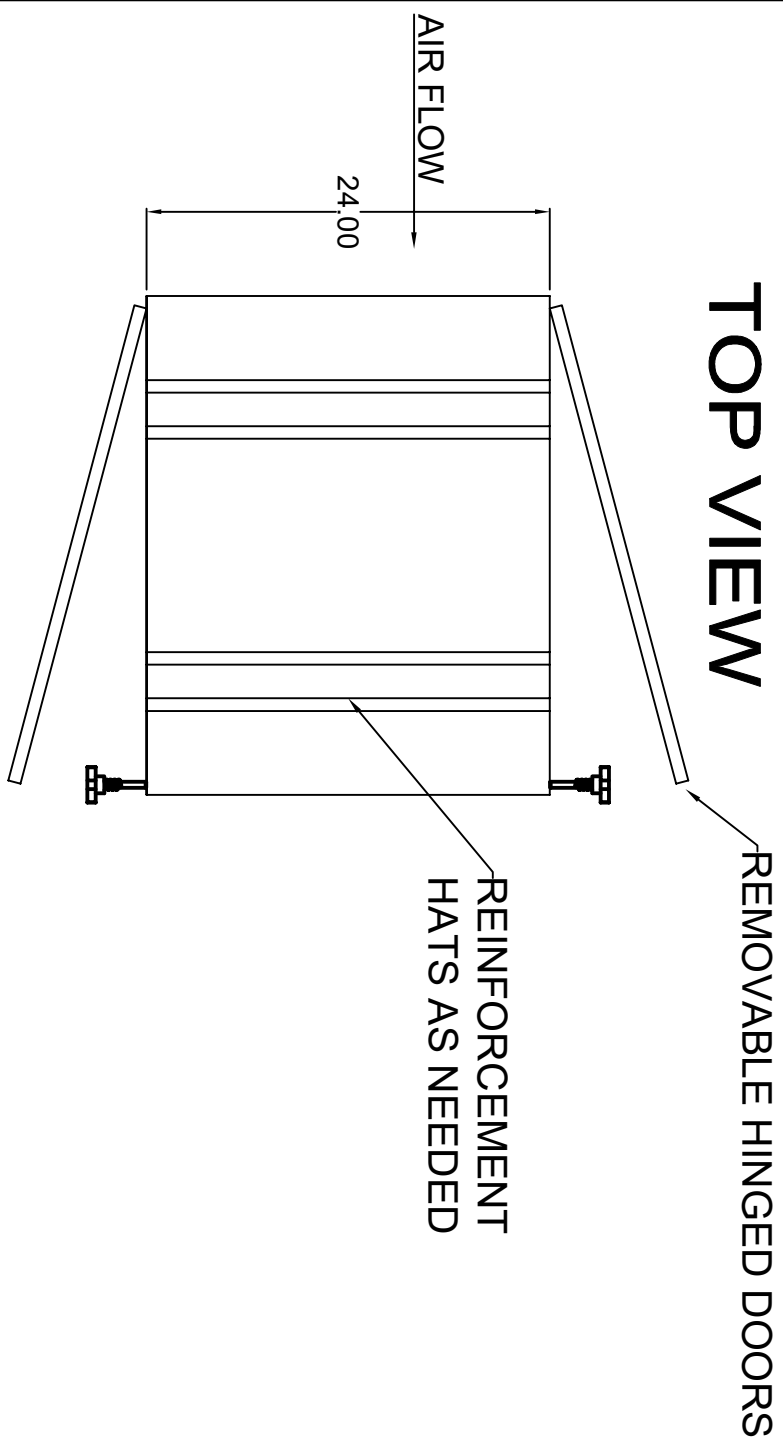
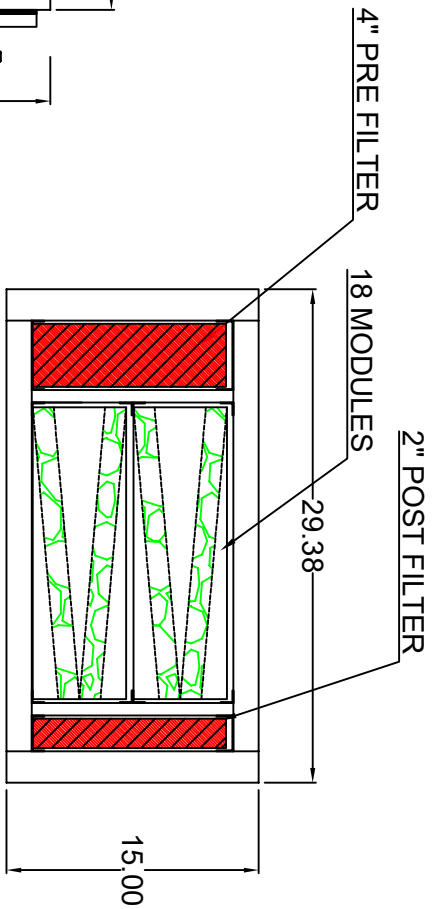


# TOP VIEW



INLET/OUTLET VIEW



SIDE VIEW

## SPECIFICATIONS

DIMENSIONS ARE FOR REFERENCE ONLY  
DO NOT USE FOR CONSTRUCTION UNLESS MARKED APPROVED

**DIMENSIONS:**  
15H X 24W X 29.38 D +/- 1/8

**UNIT HOLDS:**  
1- 11 3/8 X 23 3/8 X 3 3/4 PRE FILTERS  
2-HS-18MF MODULES WITH CANNABLEND SELECT  
1- 11 3/8 X 23 3/8 X 1 3/4 POST FILTERS

**CONSTRUCTION:**  
MADE FROM ALUMINIZED STEEL 16.GA  
STITCH WELDED CONSTRUCTION  
ALL SEAMS CAULKED  
WEATHER RESISTANCE HARDWARE

SIZED FOR 1000 CFM  
APPROX. WEIGHT FOR HOUSING ONLY - 65LBS

TITLE: <b>.5X1 4P-18PH-2P</b>			
SCALE: NTS	CUSTOMER:		
DRAWN: SHN	REV: A	DATE:	10/2/20

