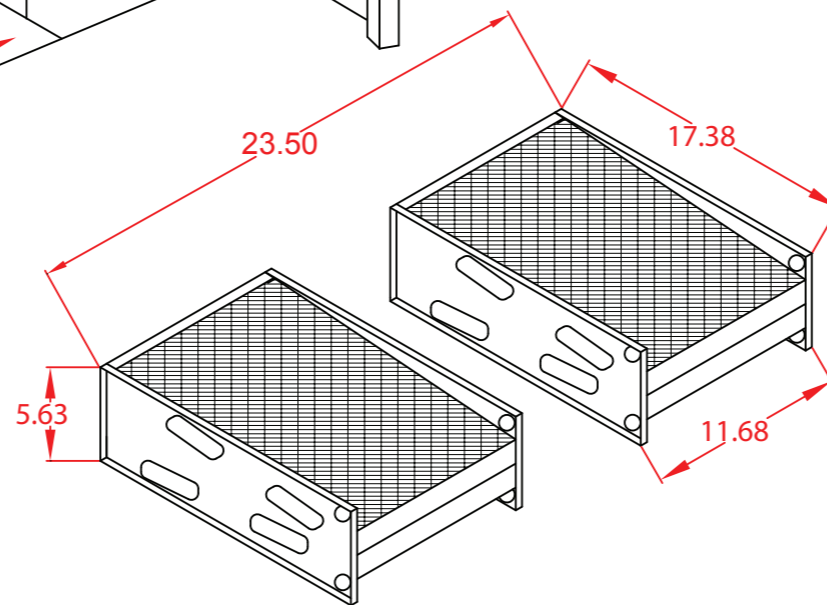


PRE FILTER SECTION



SPECIFICATIONS

DIMENSIONS: +/- 1/16

24 X 24 1/16 X 20

*2000CFM FRONT ACCESS UNIT W/PRE-FILTER AREA

*HOUSING: 16GA. CRS W/ BLACK POWDER COATING

REQUIRES 1 23 3/8 X SQ X 3 3/4 PRE FILTER

REQUIRES 4 SETS HS-18PH MODULES

WEIGHTS

UNIT WITHOUT MODULES

44LBS

TITLE:

HS-22 SPLIT-2P

SCALE:

NONE

DWG NO.

DRAWN:

JJS

APPROVED:

DATE:

03/12/09

CHECKED:

CUSTOMER:

HYDROSIL