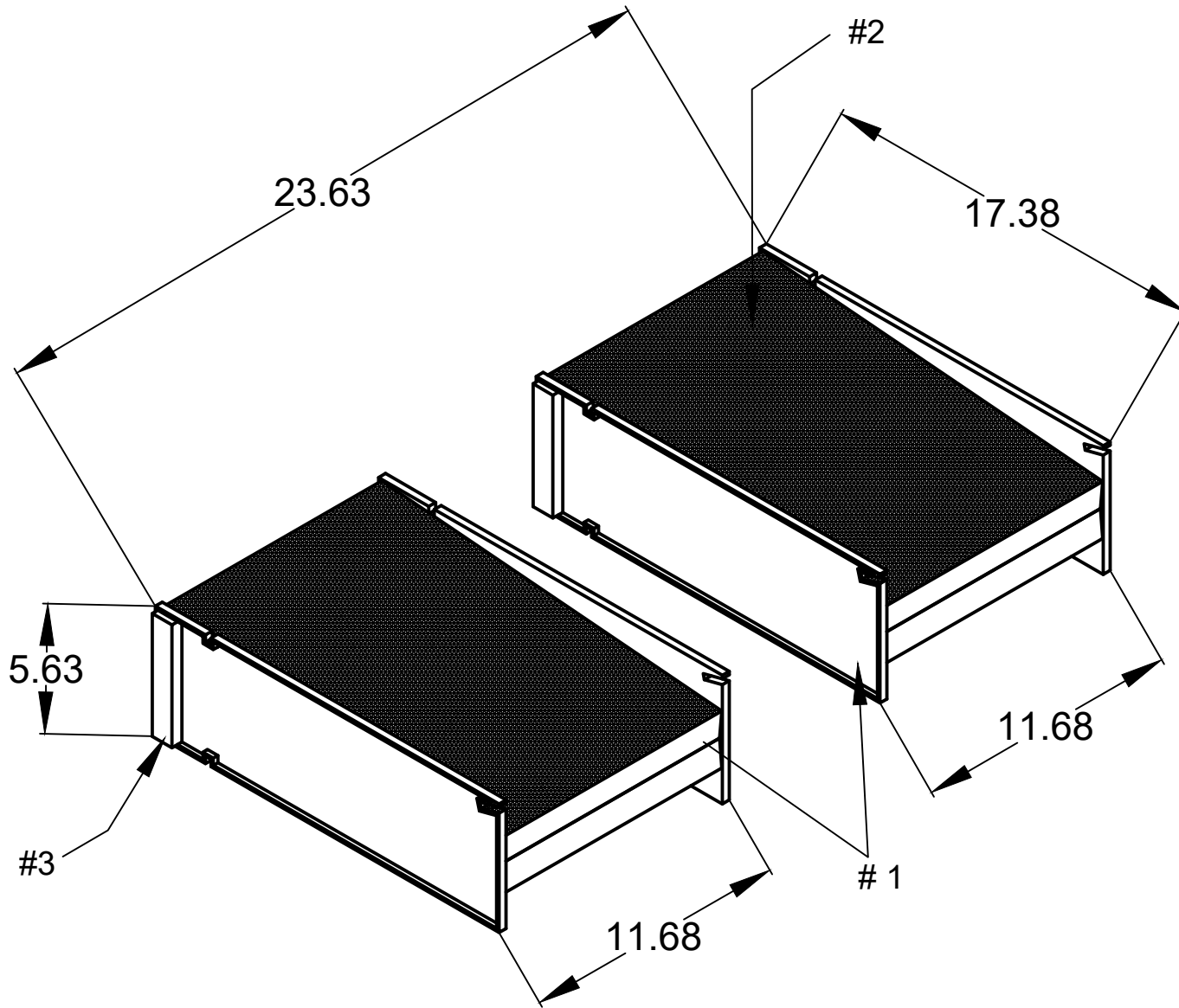


# SPECIFICATIONS

- #1 POLY CARBONITE
- #2 .080 X .500 SLOTTED PERF
- #3 1/2" OPEN CELL GASKET FOR SEALING
- #4 PRESSURE DROP  
.55 @ 500 CFM DEPENDING ON MEDIA
- #5 MODULE IS INCINERABLE  
SOLD IN SETS OF TWO

MODULE CAN BE FILLED  
WITH DIFFERENT TYPES OF MEDIA



TITLE: <b>HS18-PH</b>		
SCALE:	DWG NO. 18-PH	
DRAWN: WJW	APPROVED:	DATE: 1/28/20
CHECKED:	CUSTOMER:	

**HYDROSIL**