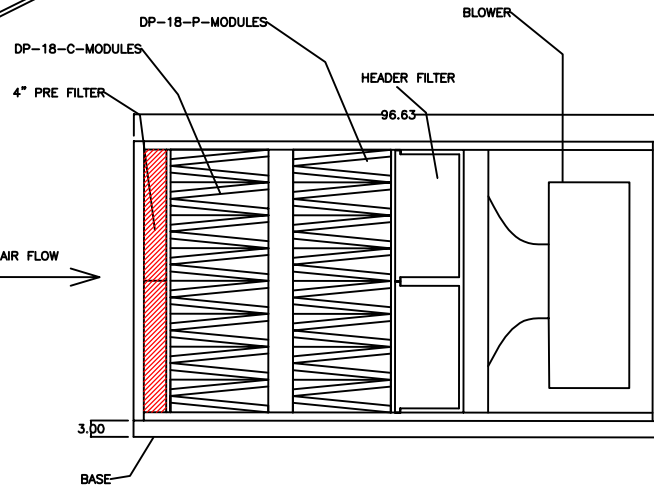
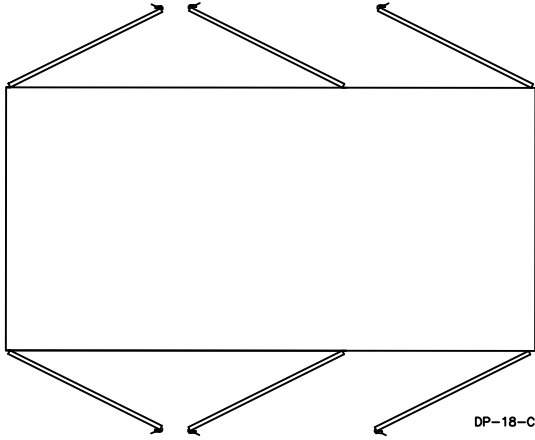
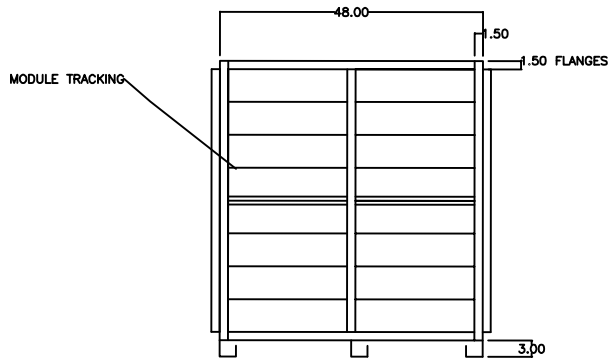


TOP VIEW



SIDE VIEW



INLET VIEW

SPECIFICATIONS

DIMENSIONS:

48W X 75H X 96 5/8D

MADE FROM 16 GAUGE ALUMINIZED
ALL WELDED CONSTRUCTION

UNIT HOLDS

4 - 23 3/8 X 23 3/8 X 3 3/4
PRE FILTERS

16 SETS - DP-18-C MODULES

16 SETS - DP-18-P MODULES

4 - 23 3/8 X 23 3/8 X 11 1/2
HEADER FILTERS

APPROX: 1.5 WG @ 7000 CFM (CLEAN)

THREE DOORS TWO SIDES
DOORS FULL GASKET FOR SEAL
SPRING LATCHES FOR POSITIVE SEAL

TITLE:

2x2 4P-18M-18M-12H-BLOWER

SCALE:	NONE	DWG NO.	
DRAWN:	JJS	APPROVED:	DATE: 3/09/10
CHECKED:		CUSTOMER:	

HYDROSIL